

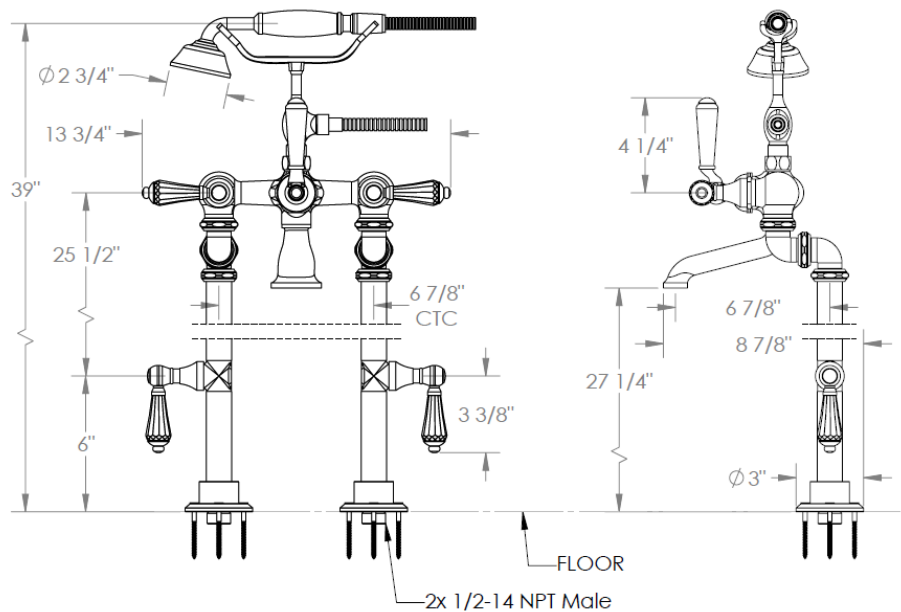
**313-8.3STP-\_\_**

Floor Standing Bath Set with Hand Shower and Shut-Off Valves

Does not use concealed rough

Hand Shower Flow Rate: 1.75 GPM

Note: Some building codes may require a remote pressure balance valve for anti-scald



Meets the applicable requirements of ASME A112.18.1-2005/CSA B125.1-05, entitled "Plumbing Supply Fittings"

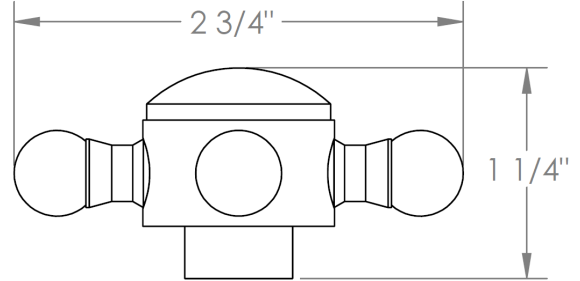
**WATERMARK DESIGNS**

**5/12/2020**

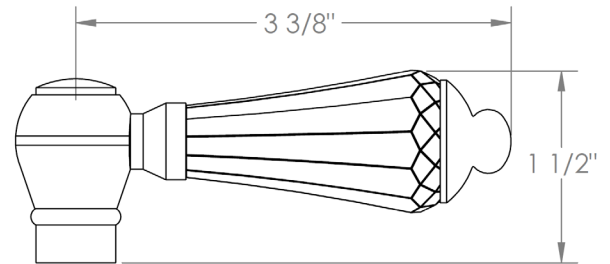
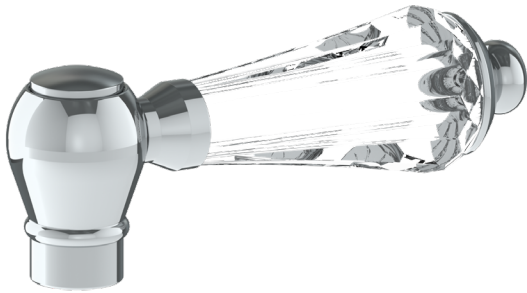
350 Dewitt Ave Brooklyn NY 11207 USA T 718 257 2800 F 718 257 2144 info@watermark-designs.com

**HANDLE TRIM OPTIONS**

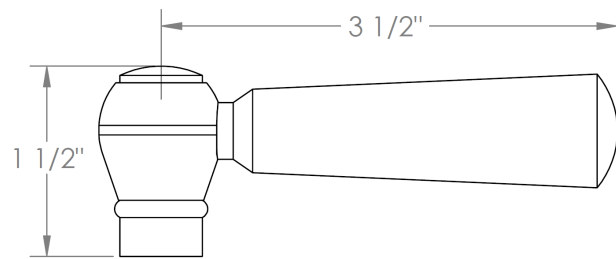
**AX – LOS ANGELES**



**SW – SAN FRANCISCO**



**WW – BOSTON**



**Y2 – WILLIAMS**

